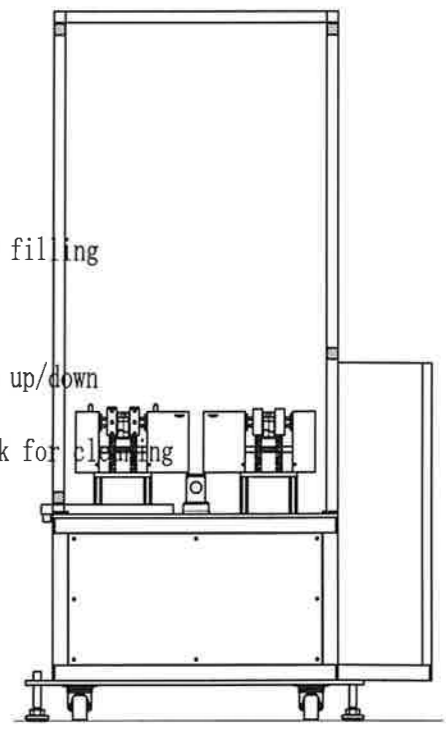
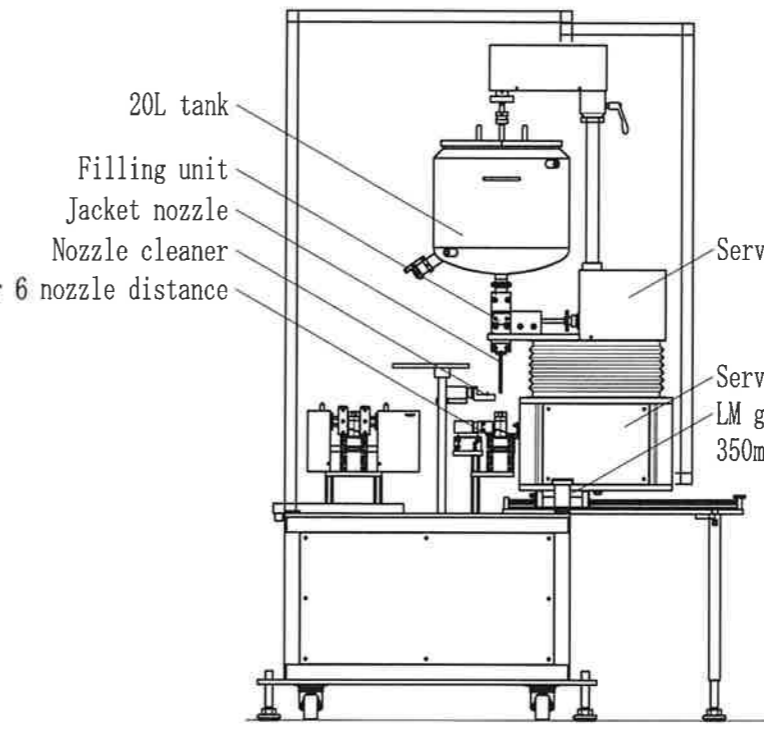
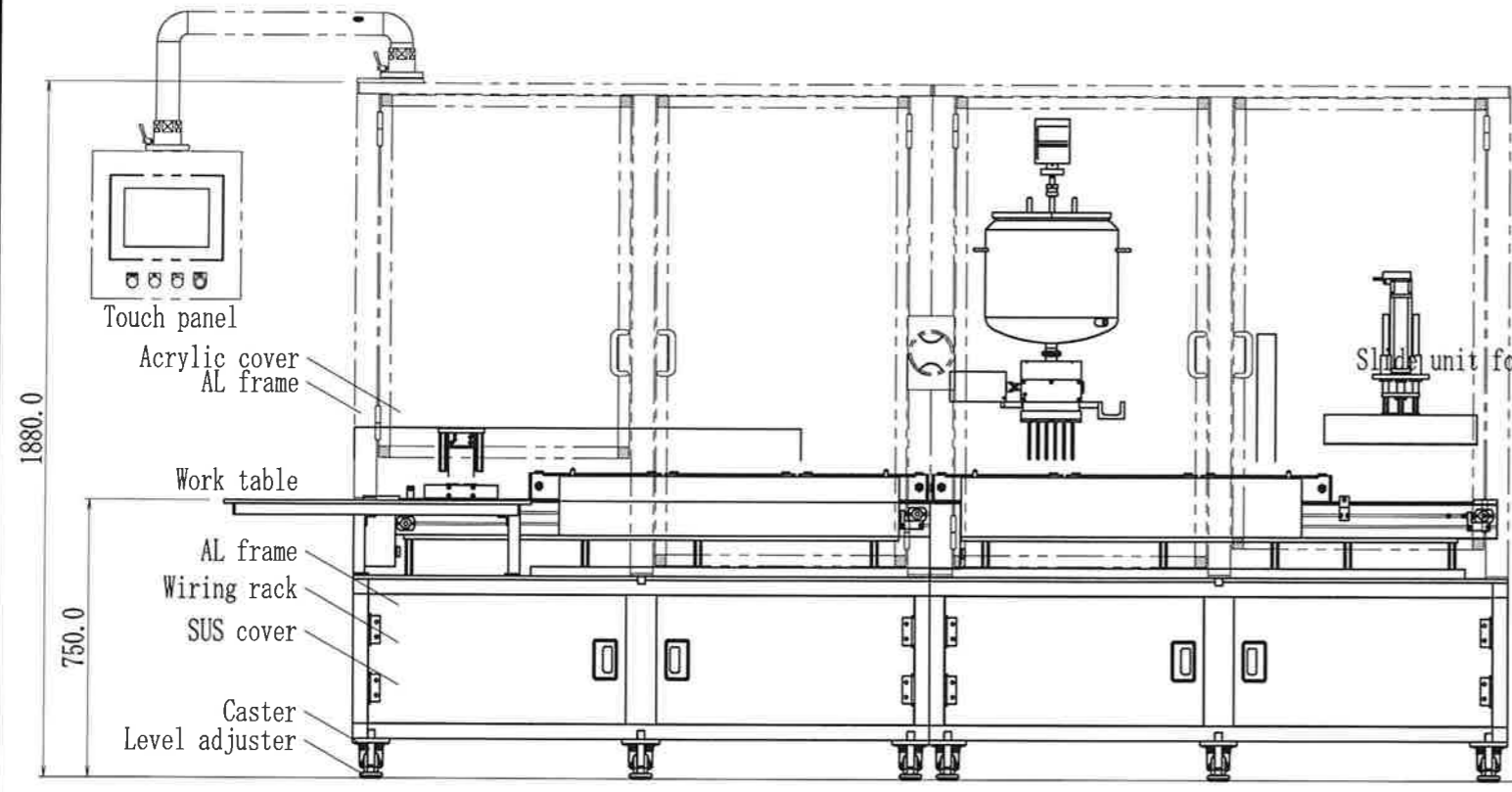
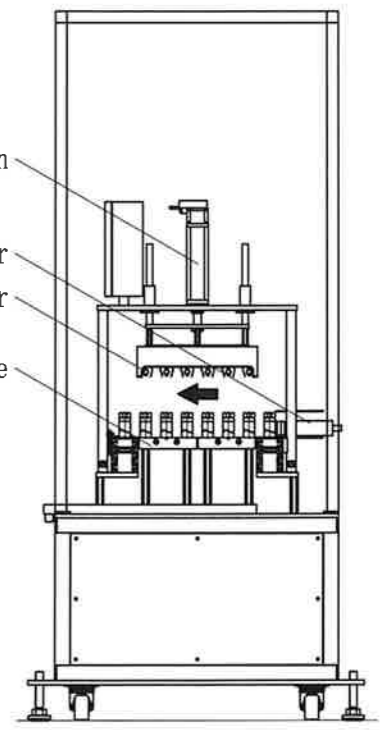
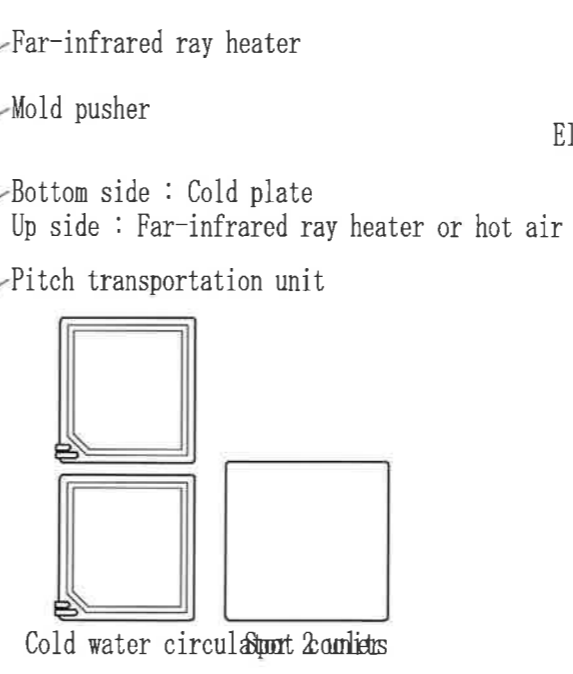
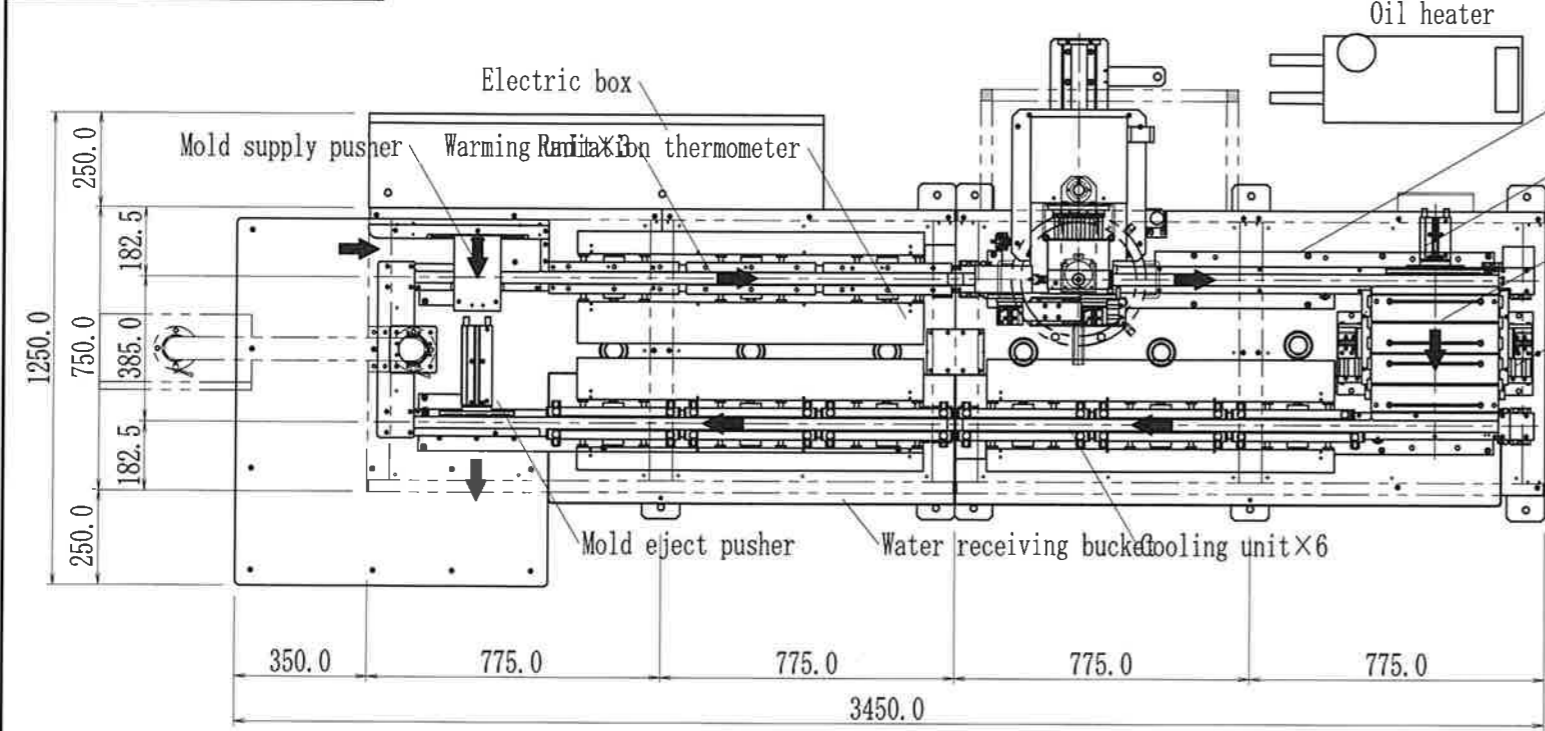
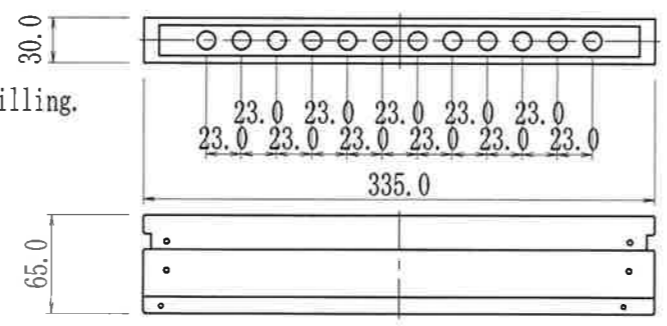


NO. 23-HP-M0007



Specification

Object Lipstick, Lip cream and so on with metal mold filling.  
 Mechanism size Deameter: 22mm(max), Height 120mm(max)  
 Filling TEMP From room temperature to 100°C  
 Filling amount 12ml(max)  
 Speed 36 pcs/min ※According to heat exchange time  
 Operator 4 ※According to product



【Bearing mold for insert type】

			PLAN	DR	11' 07/05	CHK	11' 07/05	APP
			M. Arashida	K. Arashida	K. Arashida	M. Arashida		
			SCALE	NANYO CO., LTD.				
LTR	REVISION RECORD	DR	DATE	1:20				
	M/C NAME	TITLE		Lipstick metal mold filling machine Reference drawing for web site				