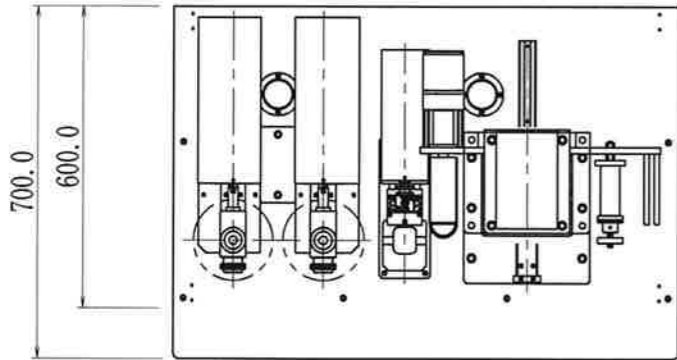
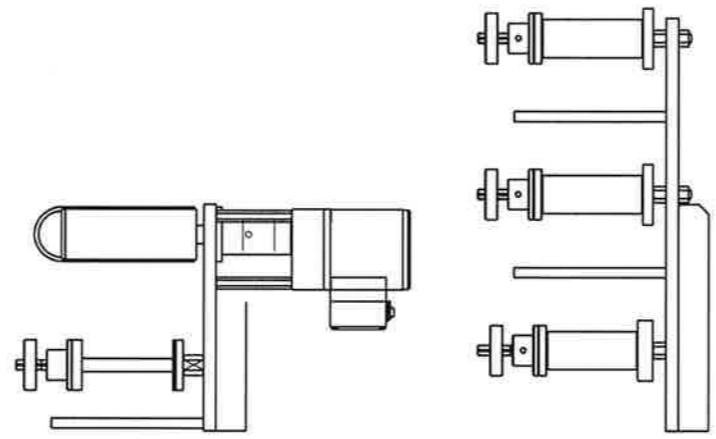


NO. 23-HP-M0003



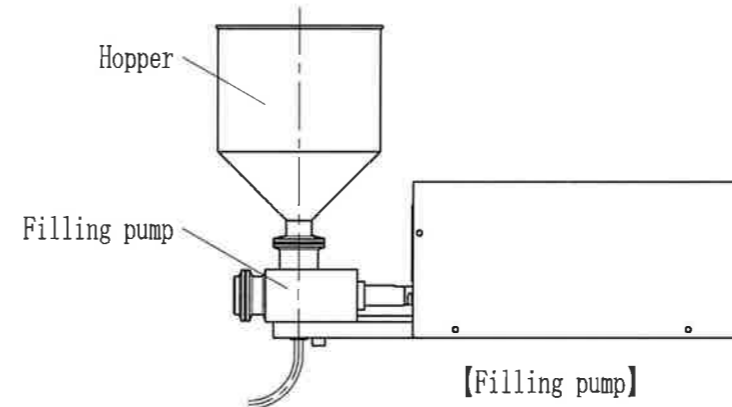
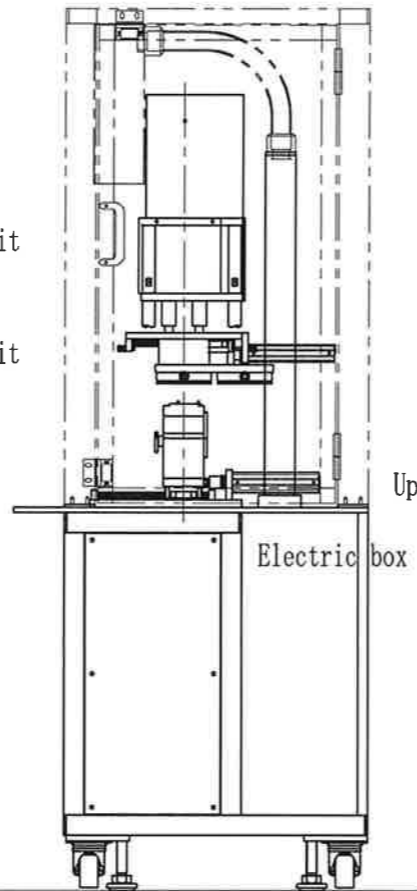
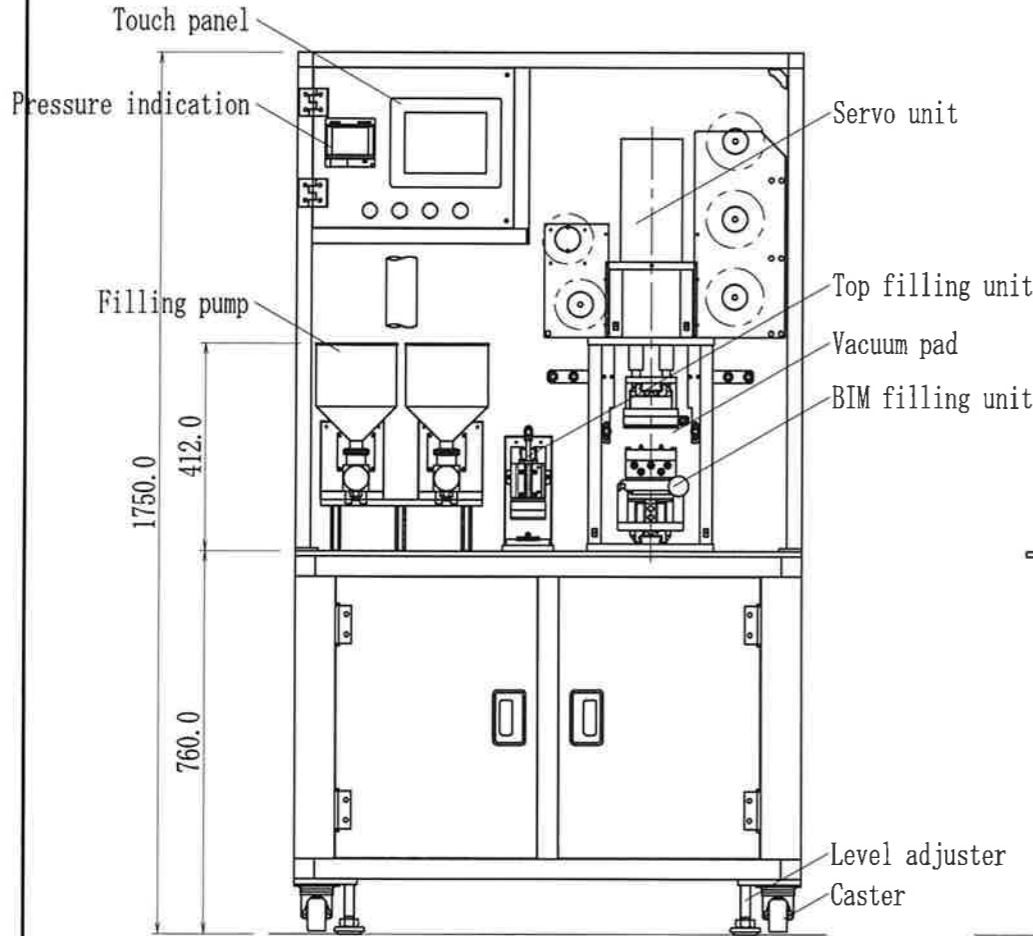
【Top filling】
 【Filling pump】 【BIM/first and second press】
 1000.0



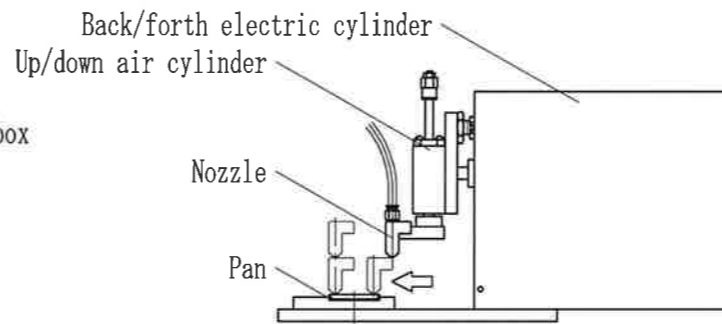
【Paper/cloth winding】

Specification

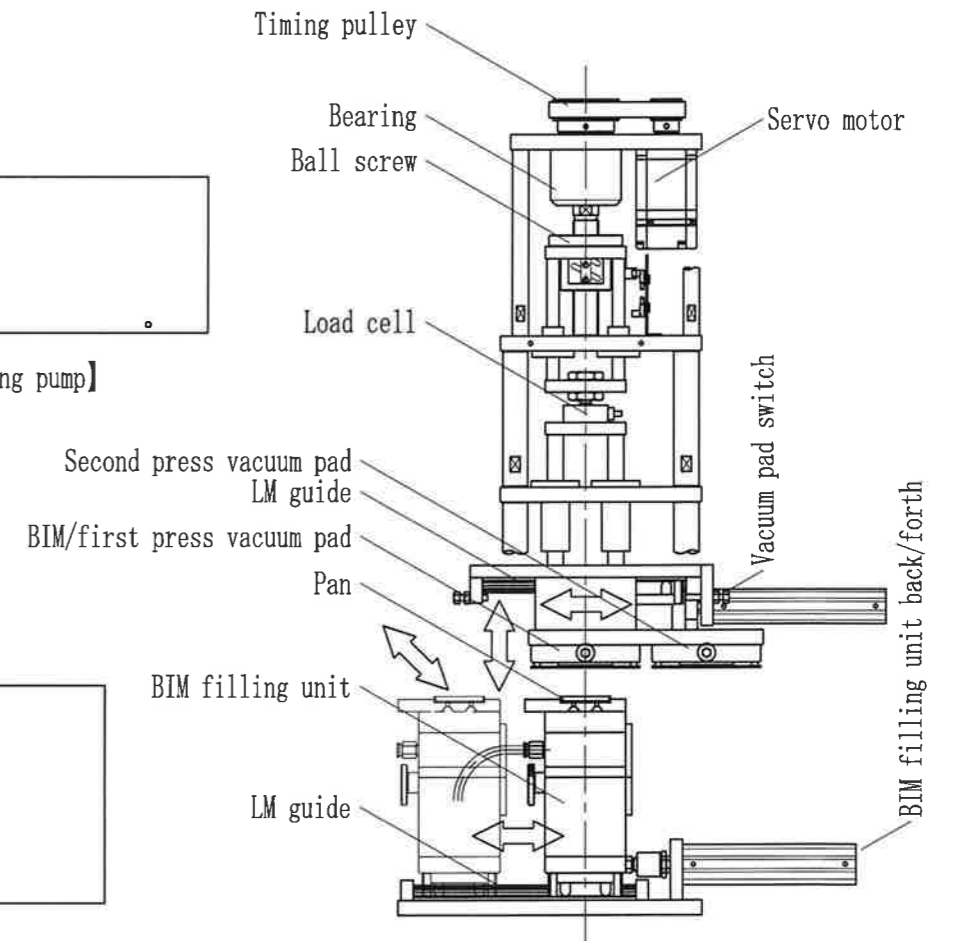
Power source Electric : AC200V(3Phases) 20A-1line Air : More than 0.5Mpa-1 line
 Object Cosmetic powder for foundation, eye shadow, face color and so on
 Number of colors 2 colors(Pumps)
 Pan size 1 pan in 1 holder : 60mm x 70mm(max)
 2 pans in 1 holder : 30mm x 60mm(max)
 4 pans in 1 holder : 25mm x 30mm(max)
 Press mechanism Servo motor Pressure : 50kgf - 350kgf
 Pump mechanism Servo motor BIM : Torque(pressure) control, Top filling : Position control



【Filling pump】



【Top filling nozzle】



【BIM/first and second press unit】

			PLAN	DR	11' 07/05	CHK	11' 07/05	APP
			M. Arashida	M. Arashida	M. Arashida	M. Arashida	M. Arashida	M. Arashida
			SCALE	NANYO CO., LTD.				
LTR	REVISION RECORD	DR	DATE	1:15				
	M/C NAME	TITLE		Reference drawing for web site				
	Pilot slurry filling machine							