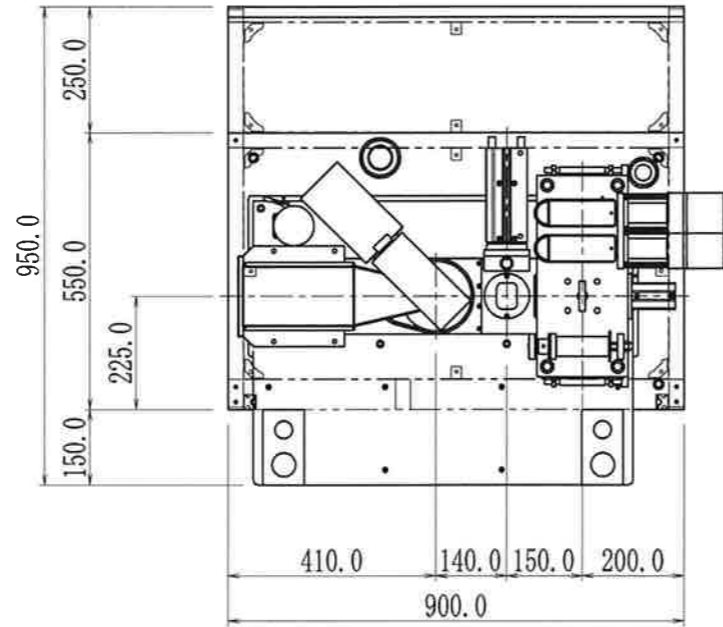


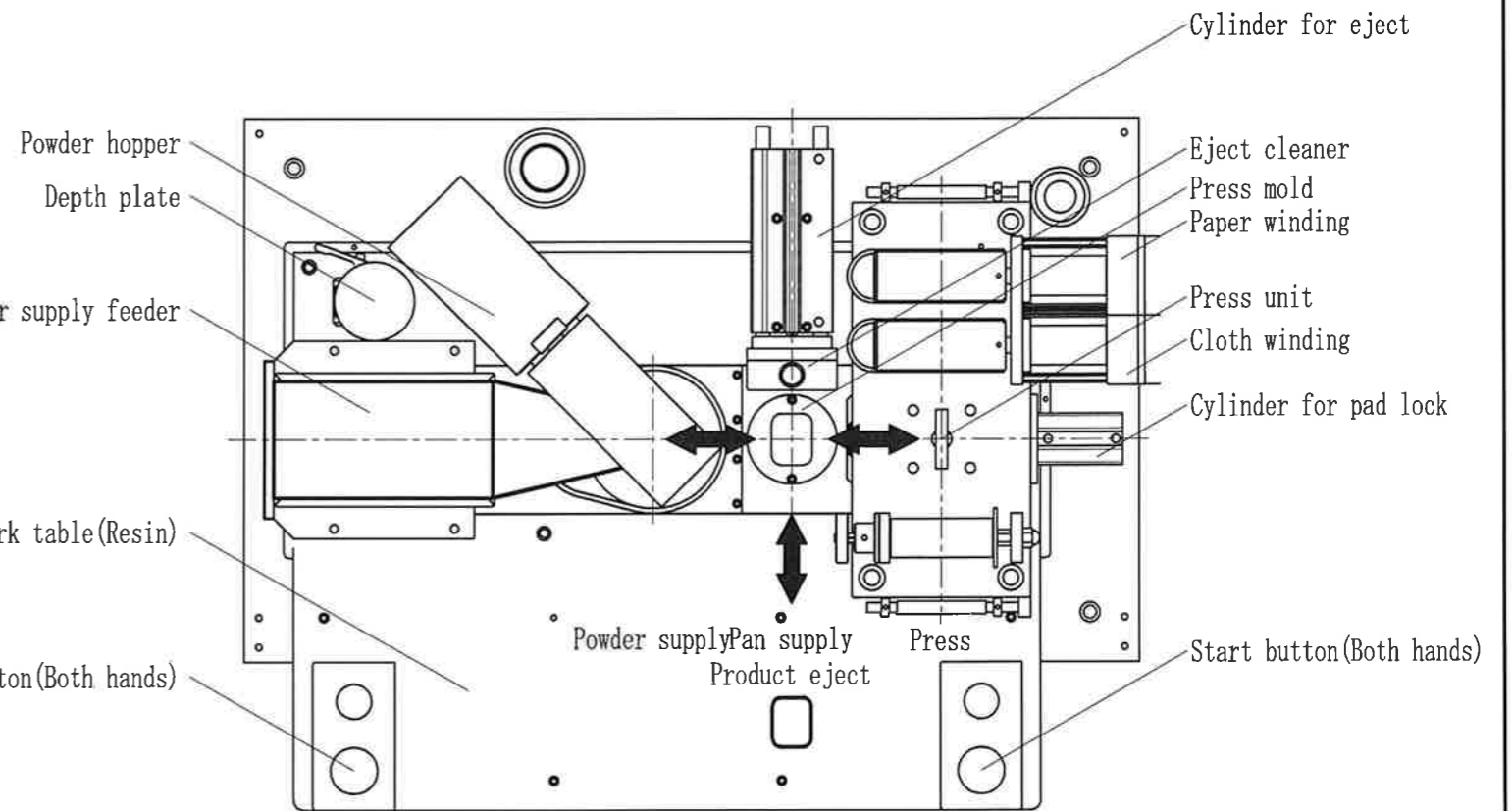
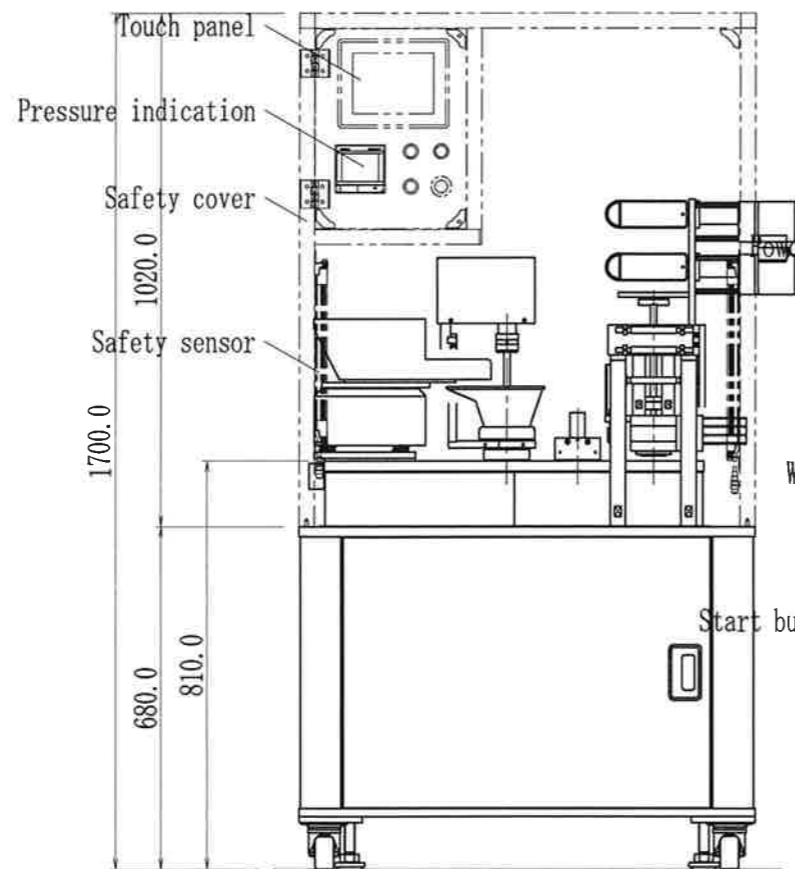
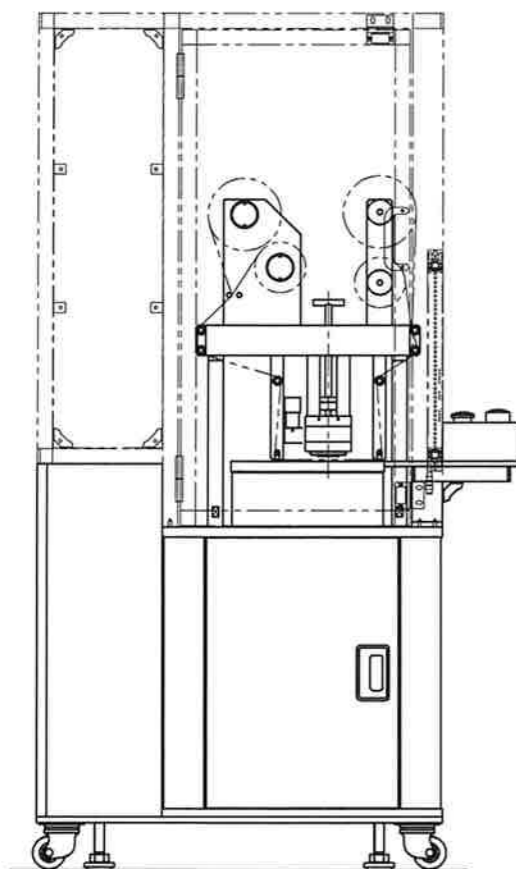
NO.

23-HP-M0006



Specification

Power source Electric : AC200V(3Phases) 20A-1line Air : More than 0.5Mpa-1 line
 Object Cosmetic powder for foundation, eye shadow and so on.
 Pan size Circle:diameter 60mm(max), Square:55mm(max)
 Pressure 5KN - 35KN
 Powder supply 5mm - 20mm (Depth)
 Speed About 5 pcs/min
 Material SUS304, AL, NAK-55, S50C, Trflon, Resin and so on.
 Pan supply Manual
 Powder supply Automatic powder supply by vibration feeder and sub hopper into the powder hopper.
 Powder hopper Rotation movement of the hopper and agitator to supply the powder in the pan.
 Press Servo motor
 Eject Push up th product, and slide the product by pusher with mold cleaner
 Operator 1 operator



			PLAN	DR	11' 07/05	CHK	11' 07/05	APP
			M. Arashida	K. Arashida	K. Arashida	M. Arashida		
			SCALE	NANYO CO., LTD.				
LTR	REVISION RECORD	DR	DATE	1:15				
	M/C NAME	TITLE						
	Servo shot semi-auto	Reference drawing for web site						