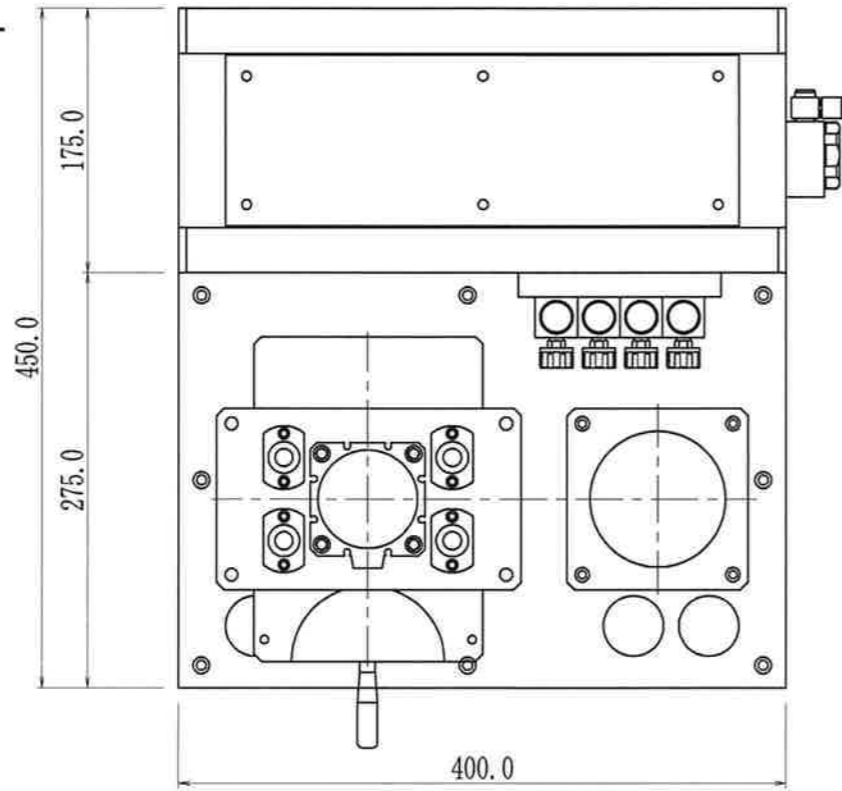


NO. 23-HP-M0004



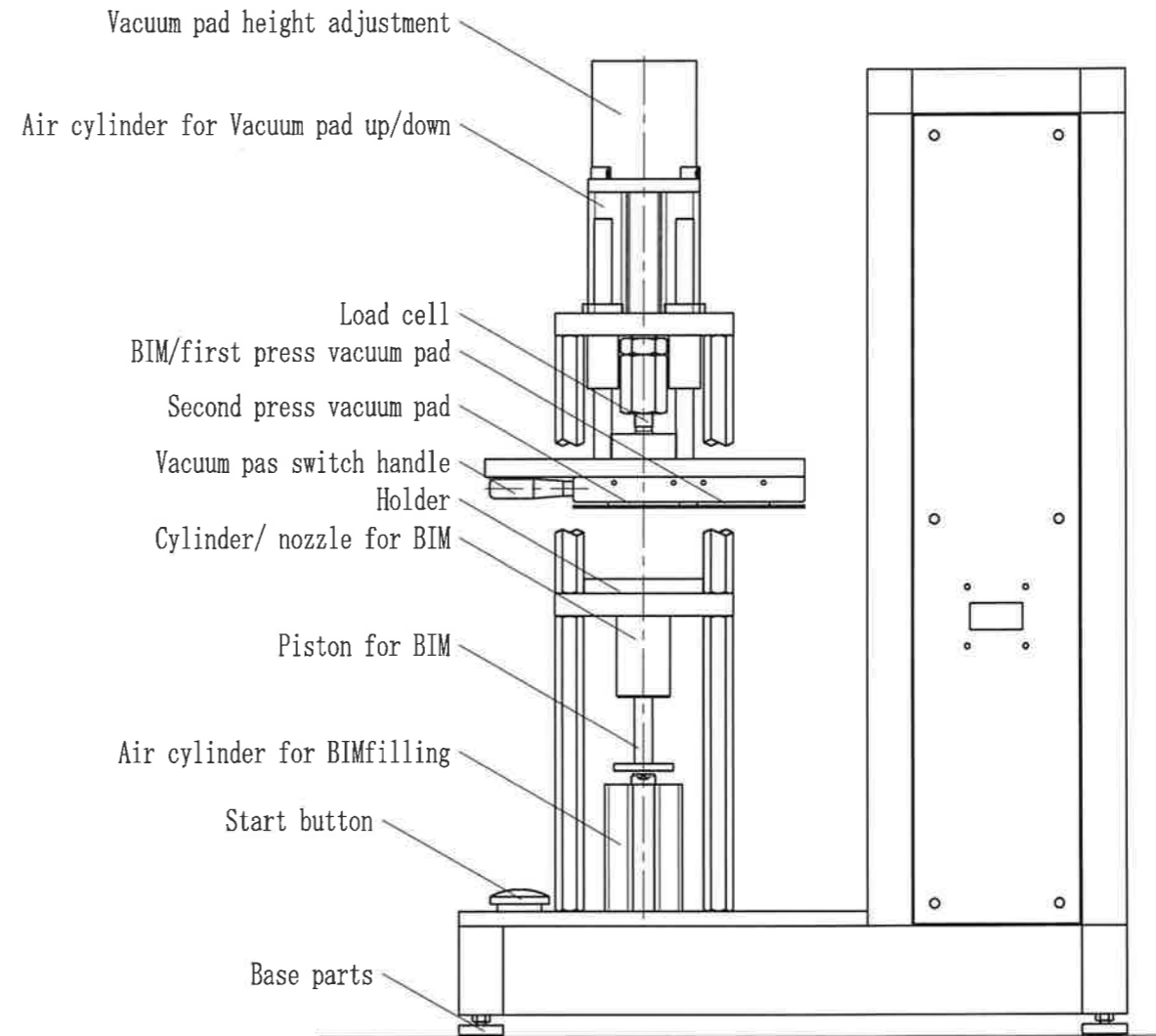
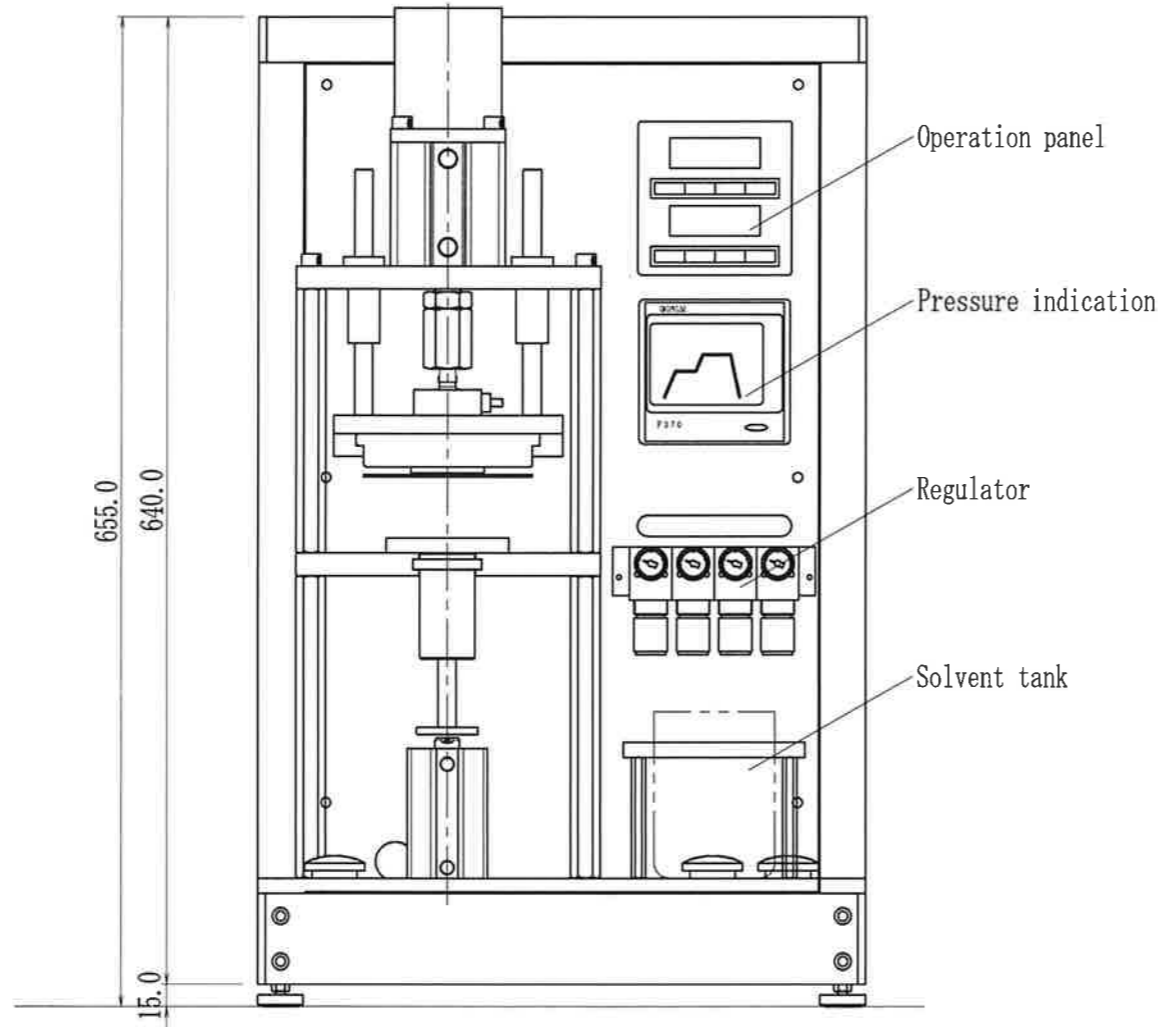
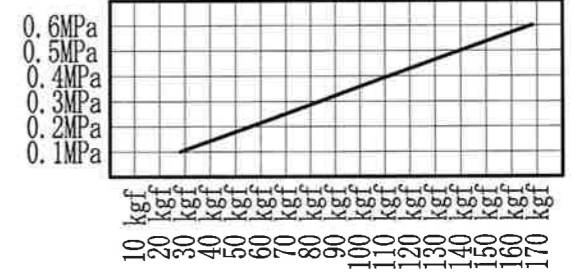
Specification

- Power source Air : More than 0.5Mpa-1 line
Electric : AC100V(Single phases)-1line
- Pan size Circle:diameter 60mm(max), Square:60mm(max)
Height : 8mm(max)
- Pressure adjustment Regulator(Refer the list in right)
Both low and high pressure is adjustable
- Vacuum adjustment Regulator
- Pad height adjustment Screw
- Pad switch By handle, plunger positioning

Cylinder thrust list diameter 63mm(both lod)

Air pressure	Thrust
0.1MPa	28.0kgf
0.2MPa	56.0kgf
0.3MPa	84.0kgf
0.4MPa	112.0kgf
0.5MPa	140.0kgf
0.6MPa	168.1kgf

Cylinder thrust graph diameter 63mm(Both lod)



			PLAN	DR	11' 07/05	CHK	11' 07/05	APP
			M. Arashida		K. Arashida		K. Arashida	M. Arashida
			SCALE					
LTR	REVISION RECORD	DR	1:5					
	M/C NAME	DATE	TITLE					
			Slurry filling machine desk top type	Reference drawing for web site				